

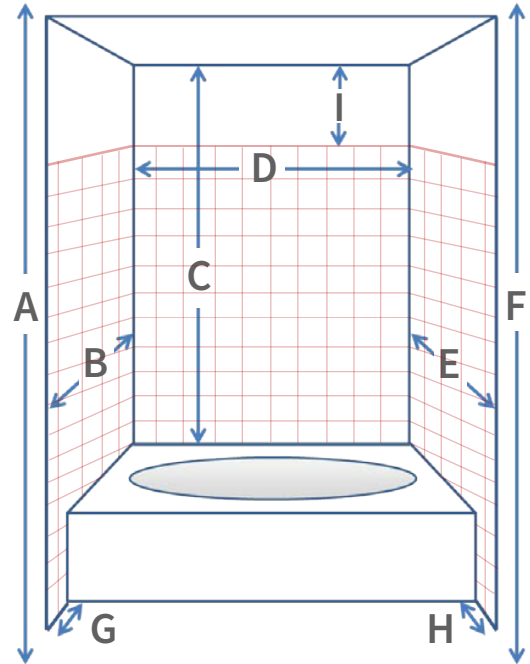
Wall Measurement Form

Property Name _____ Date _____

Measured by _____

- Install over existing tile Install direct to Greenboard or Durock

Tub Wall System Measurements		
L Floor to Ceiling Height	A	_____ in
L Sidewall Depth	B	_____ in
Backwall Height	C	_____ in
Backwall Width	D	_____ in
R Sidewall Depth	E	_____ in
R Floor to Ceiling Height	F	_____ in
L Leg Depth	G	_____ in
R Leg Depth	H	_____ in
Top of Tile to Ceiling	I	_____ in
Window Kit - H x W x D		____ x ____ x ____ in



Shower Wall System Measurements		
L Floor to Ceiling Height	A	_____ in
L Sidewall Depth	B	_____ in
Backwall Height	C	_____ in
Backwall Width	D	_____ in
R Sidewall Depth	E	_____ in
R Floor to Ceiling Height	F	_____ in
L Leg Depth	G	_____ in
R Leg Depth	H	_____ in
Top of Tile to Ceiling	I	_____ in
Window Kit - H x W x D		____ x ____ x ____ in

